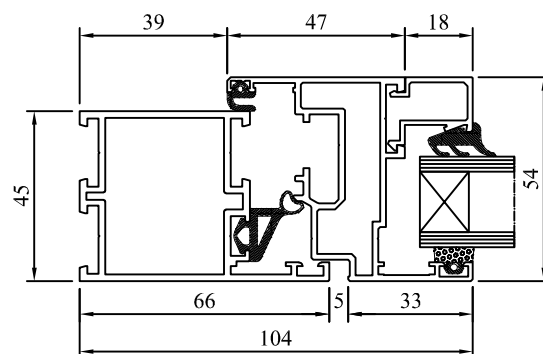
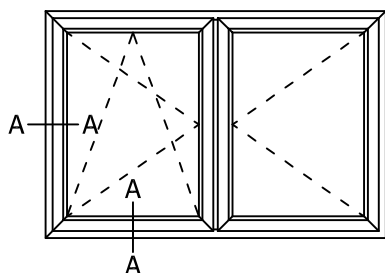
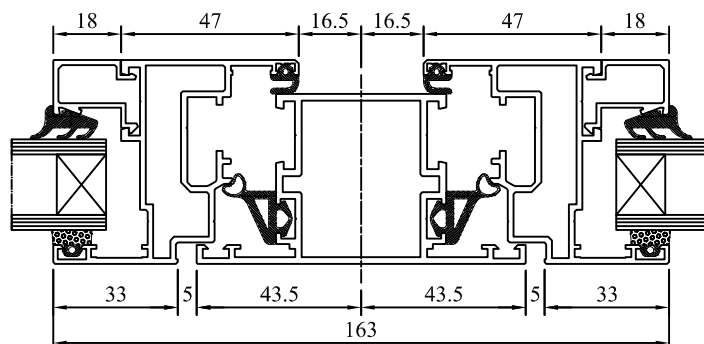
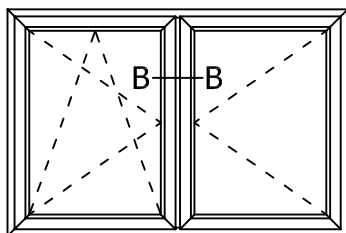


A - A



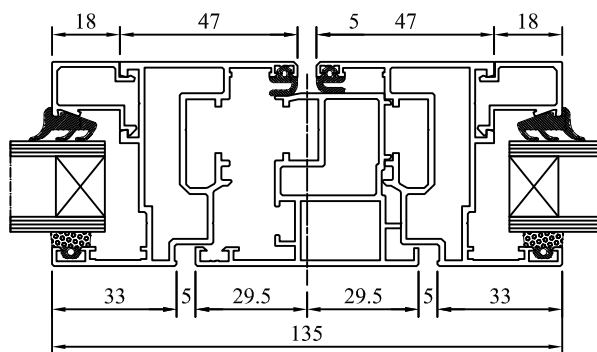
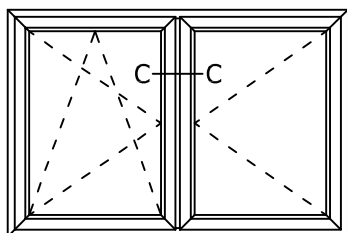
K415219X + K430030X

B - B



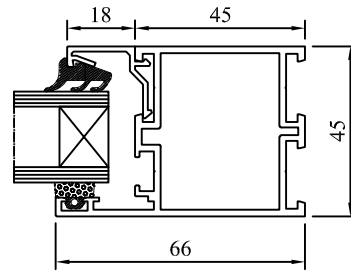
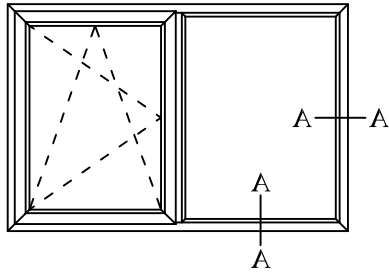
K430030X + K415223X + K430030X

C - C



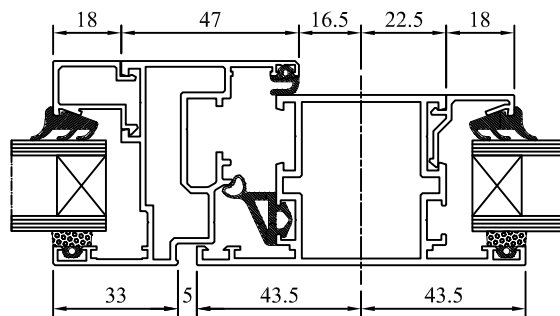
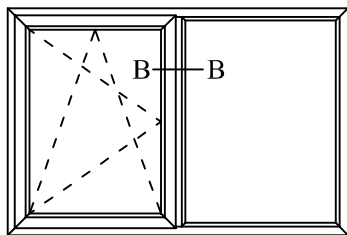
K430030X + K430031X + K430030X

A - A

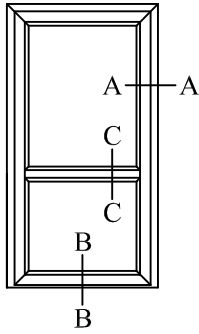


K415119X

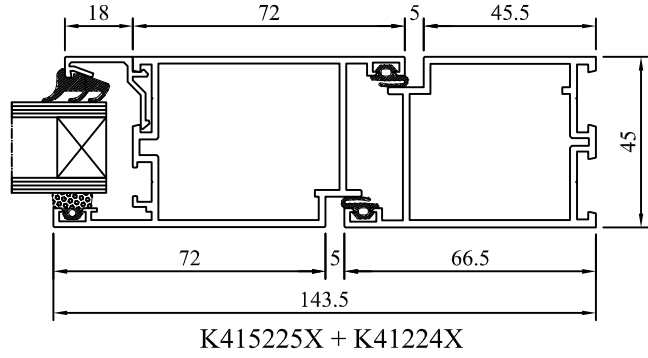
B - B



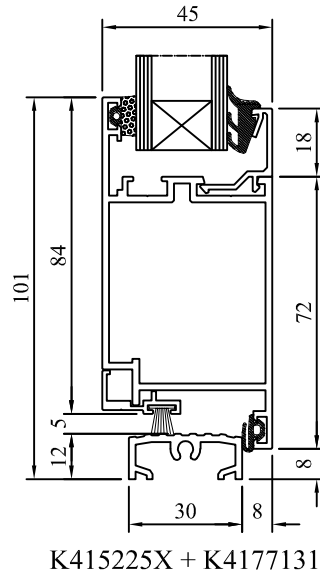
K430030X + K415223X



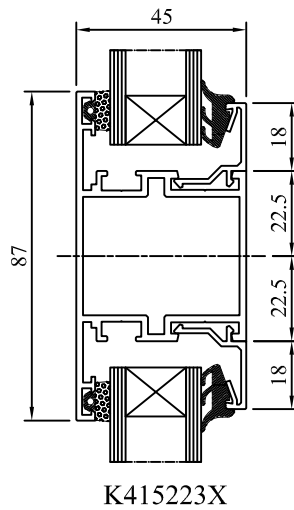
A - A

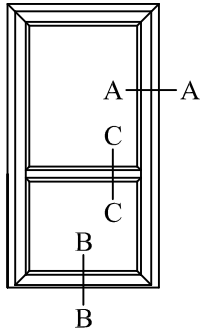


B - B

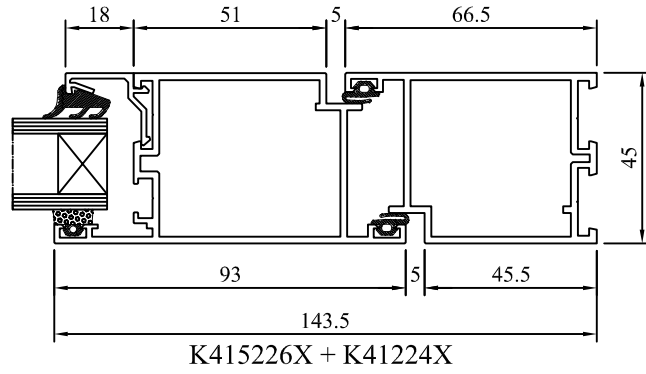


C - C

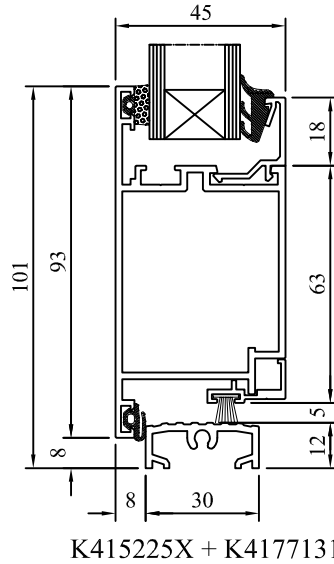




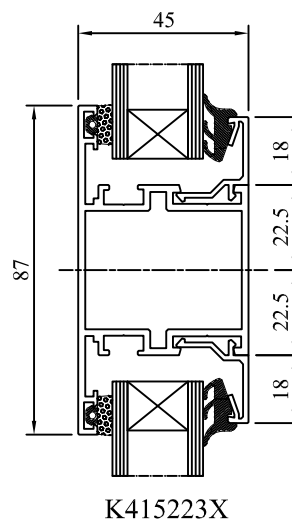
A - A

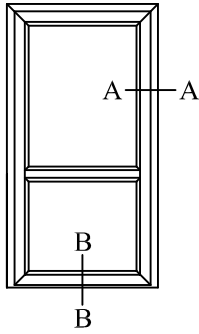


B - B

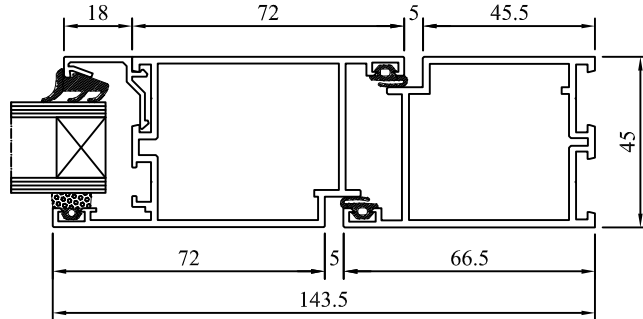


C - C



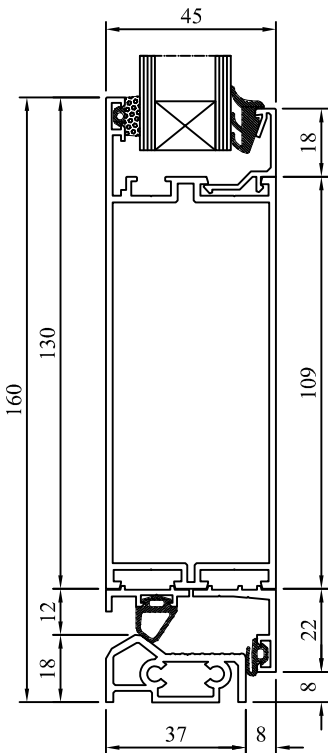


A - A



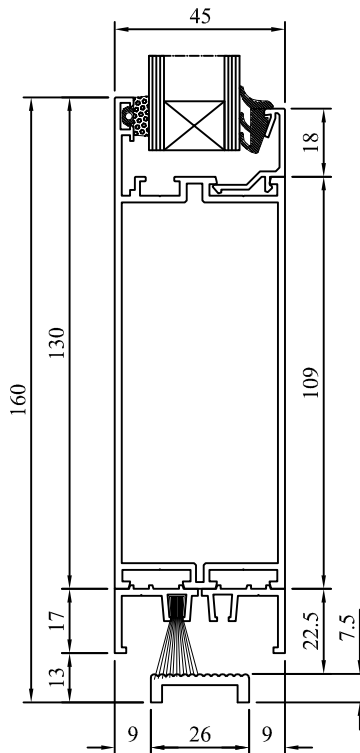
K415225X + K41224X

B - B



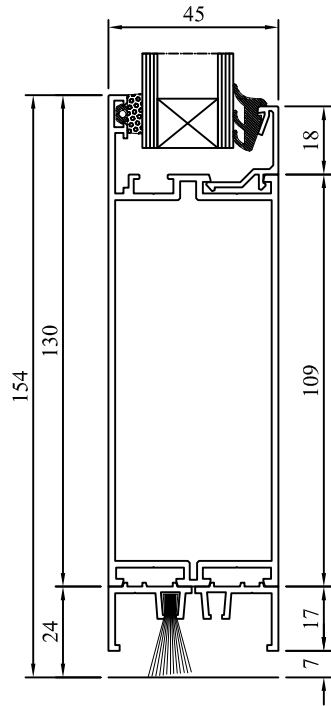
K415225X + K4152331

próg z daszkiem
step with roof
Schwelle mit Wölbung
soglia con tetto



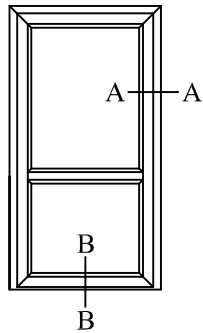
K415225X + K4125511

próg niski 7,5mm
threshold 7,5mm
Schwelle 7,5mm
soglia bassa 7,5mm

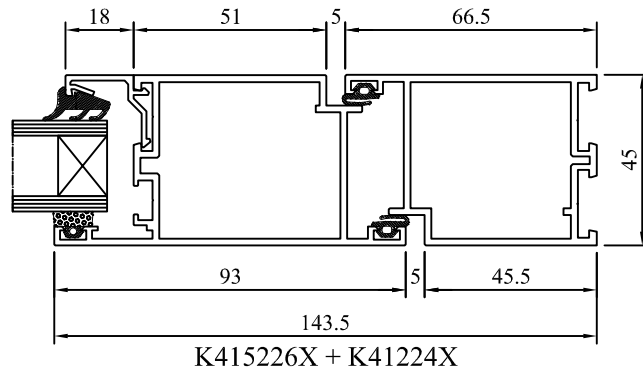


K415225X

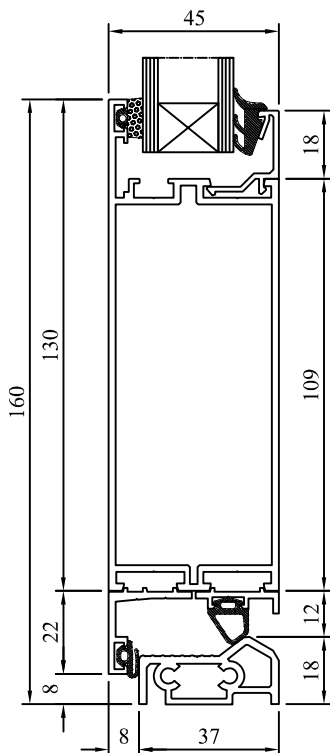
bez progów - szczotka
without threshold - with brush
Ohne Schwelle - mit Bürste
senza soglia - con spazola



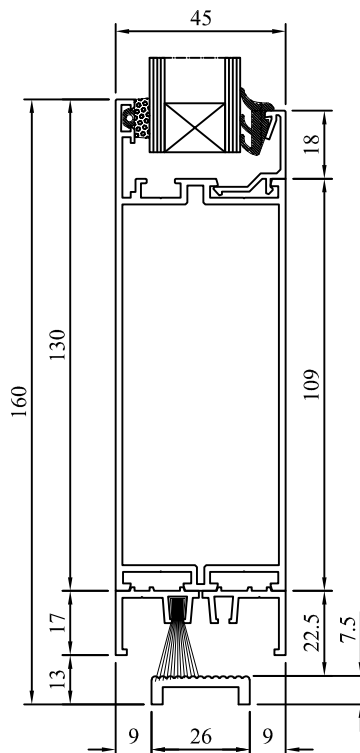
A - A



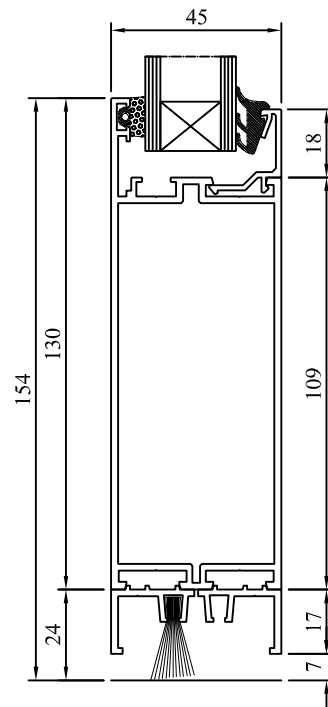
B - B



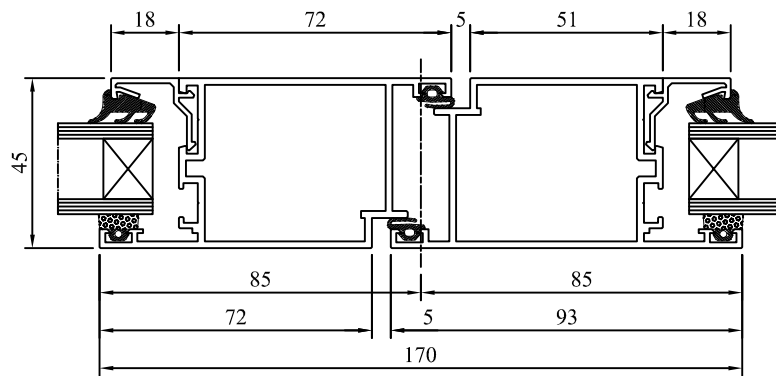
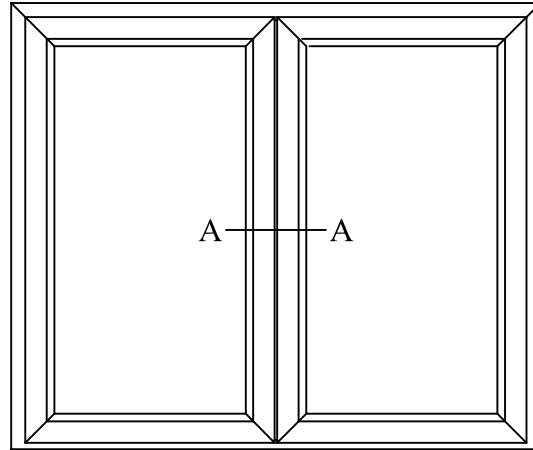
próg z daszkiem
step with roof
Schwelle mit Wölbung
soglia con tetto



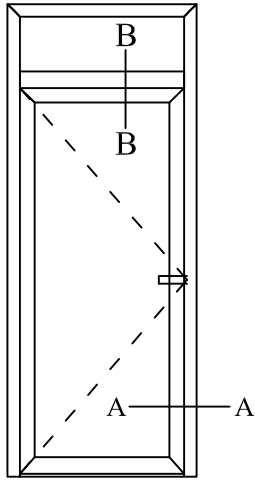
próg niski 7,5mm
threshold 7,5mm
Schwelle 7,5mm
soglia bassa 7,5mm



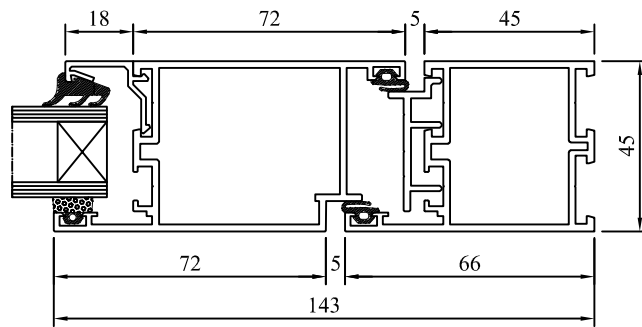
bez progu - szczotka
without threshold - with brush
Ohne Schwelle - mit Bürste
senza soglia - con spazola



K415225X + K41226X

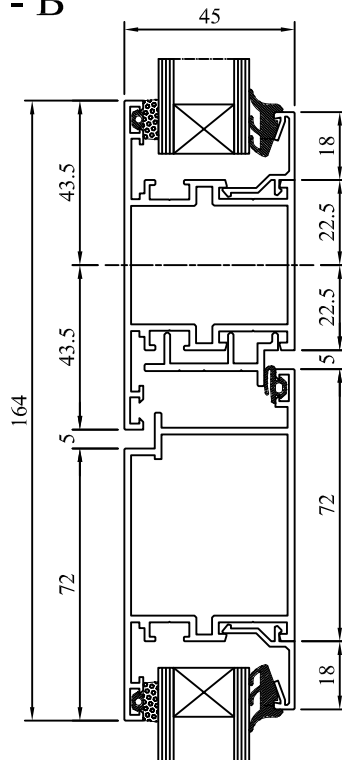


A - A

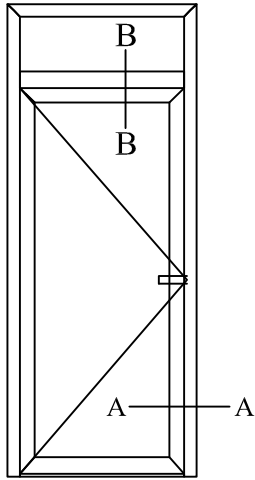


K415225X + K415227X + K415219X

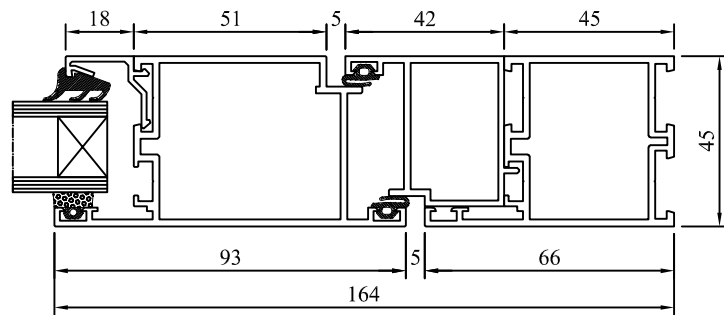
B - B



K415223X + K415227X + K415225X

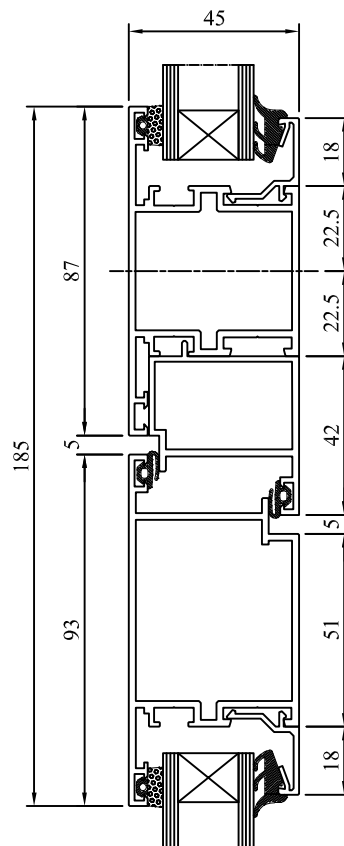


A - A

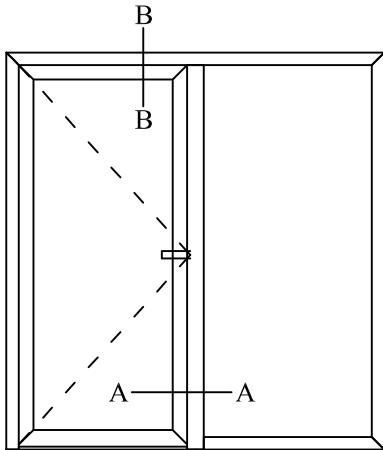


K415226X + K415228X + K415219X

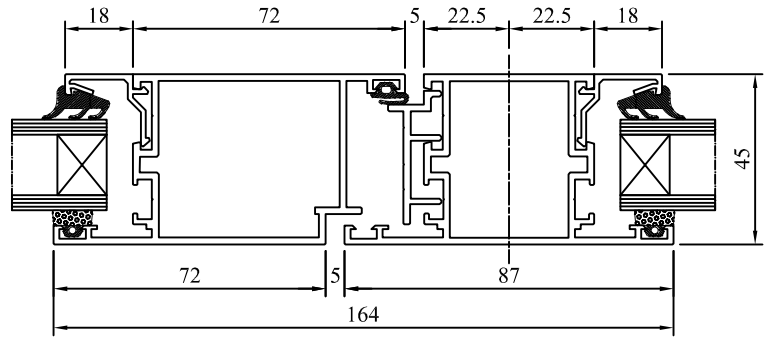
B - B



K415223X + K415227X + K415226X

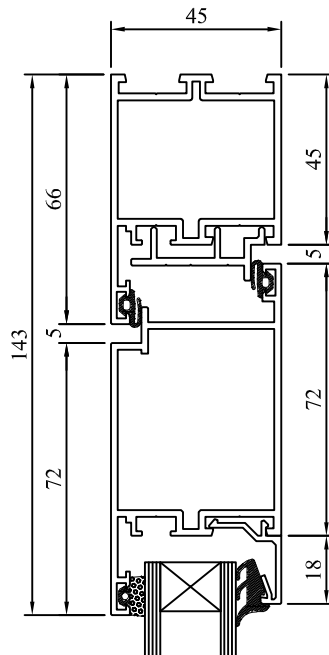


A - A

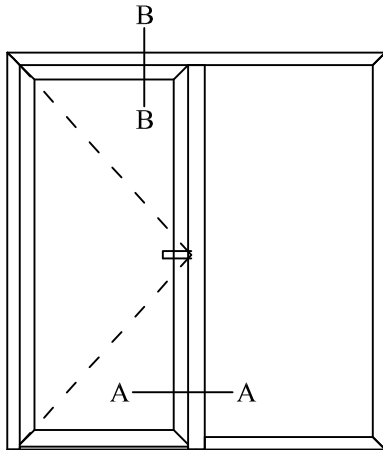


K415225X + K415227X + K415223X

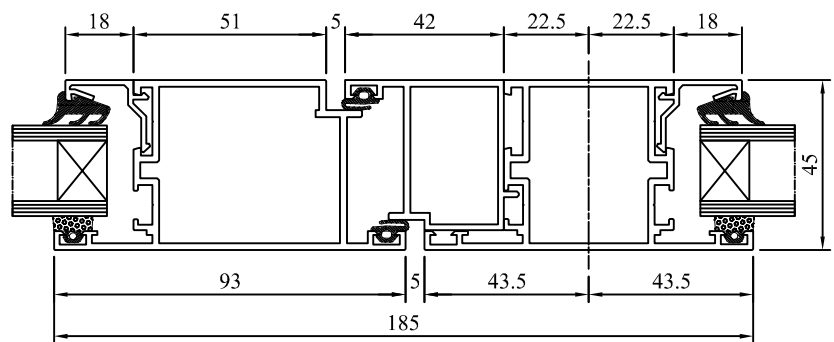
B - B



K415219X + K415227X + K415225X

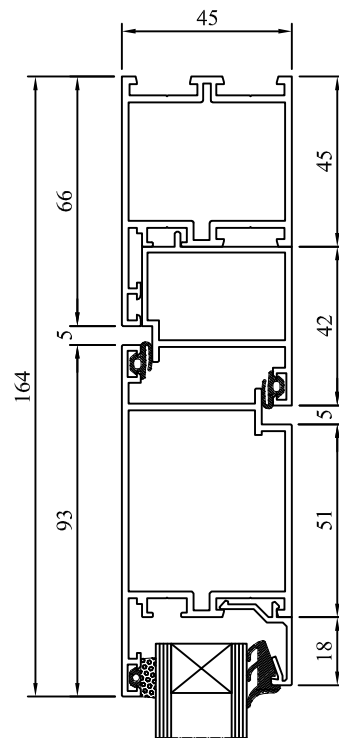


A - A

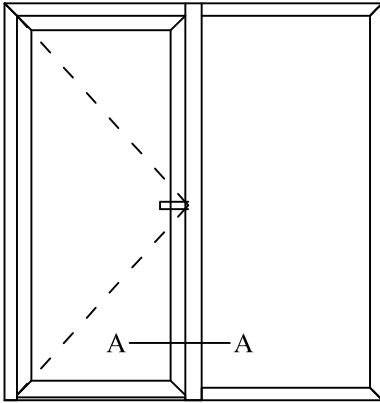


K415226X + K415227X + K415223X

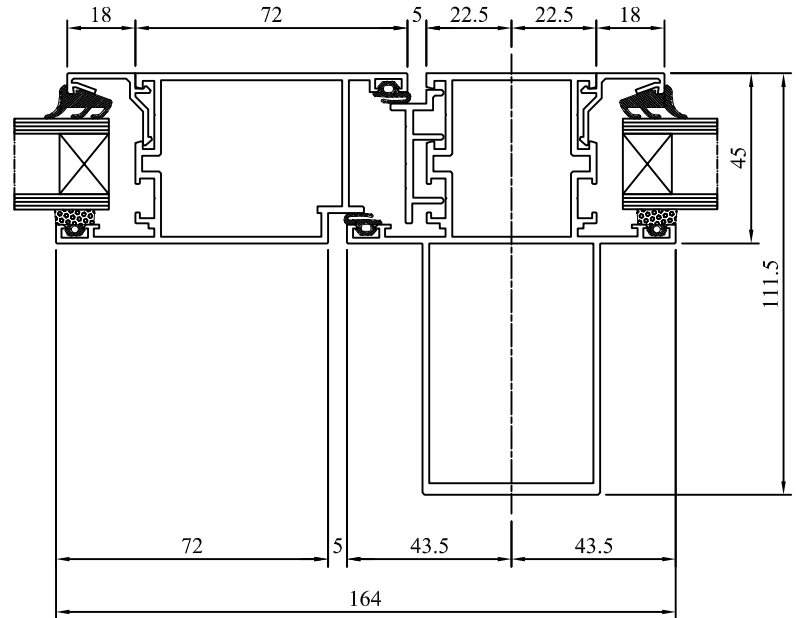
B - B



K415219X + K415228X + K415226X

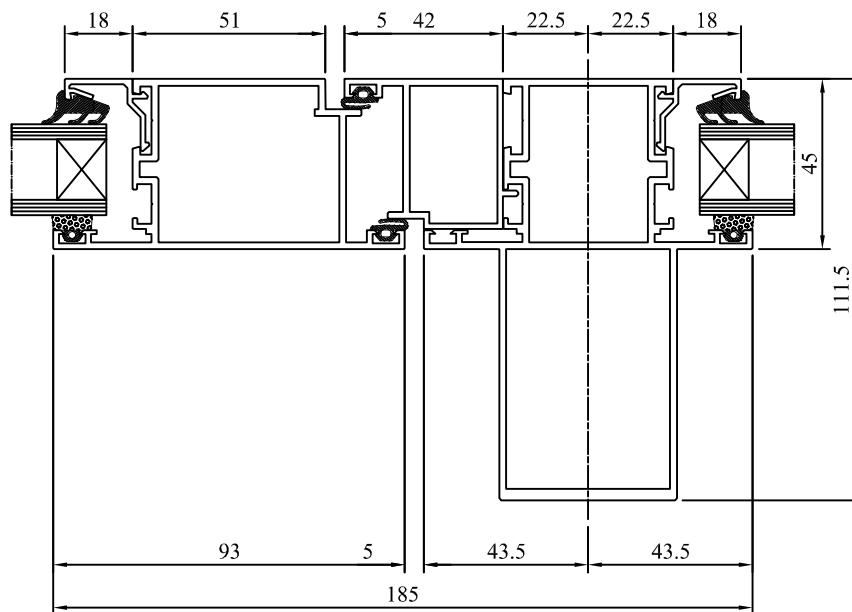


A - A

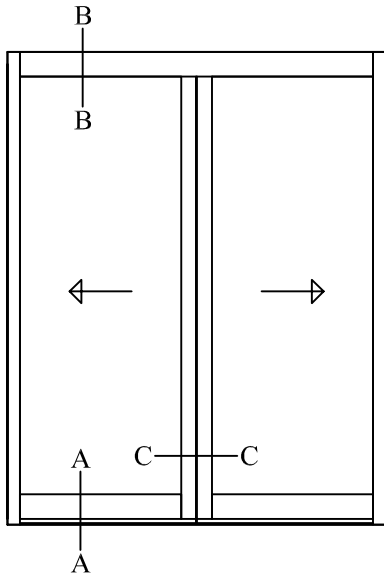


K415225X + K415227X + K417808X

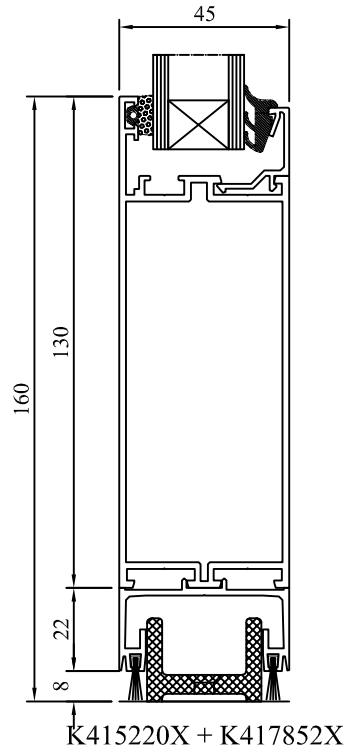
B - B



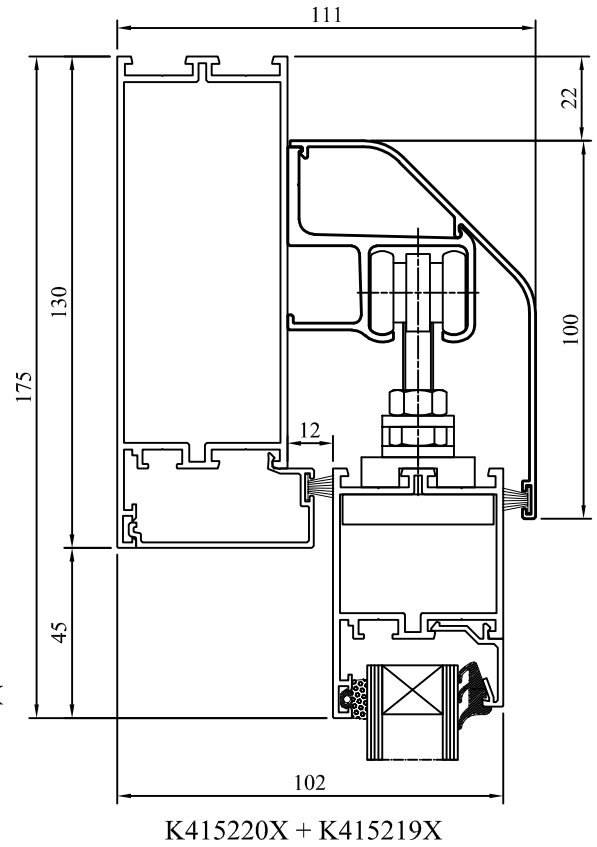
K415226X + K415227X + K417808X



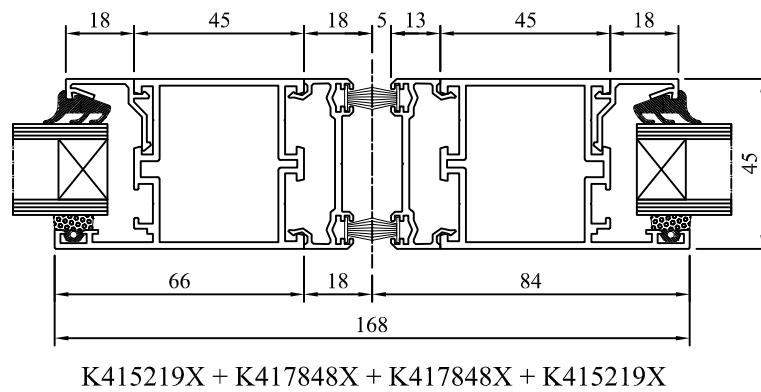
A - A

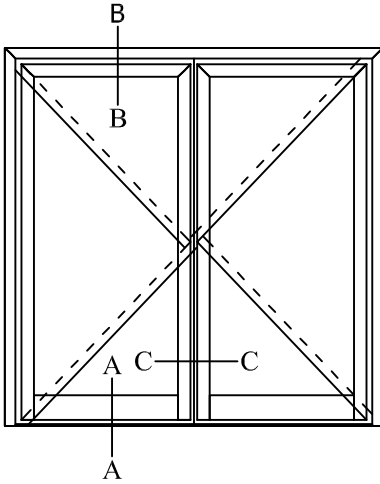


B - B

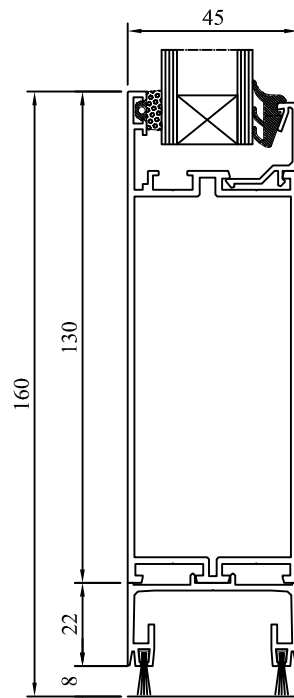


C - C



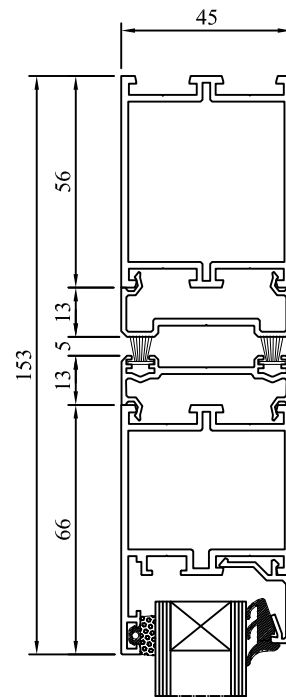


A - A



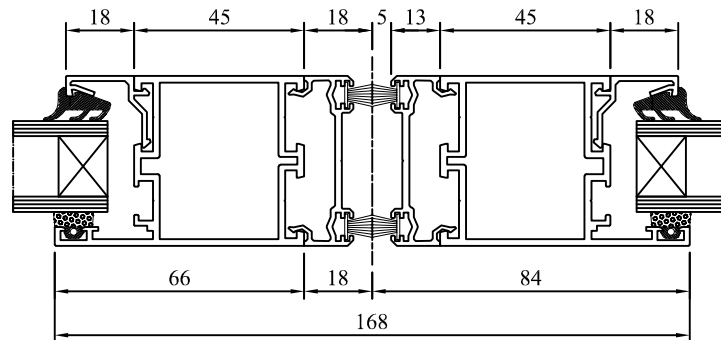
K415220X + K417852X

B - B

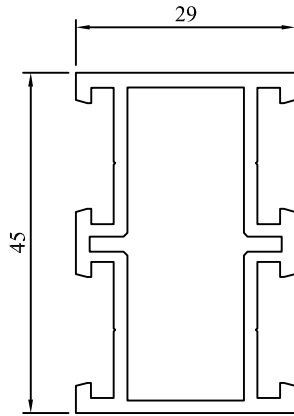


K417898X + K417848X + K415219X

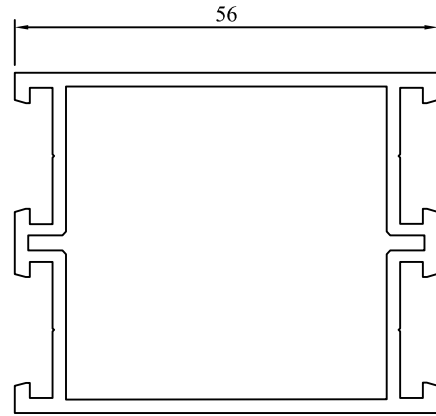
C - C



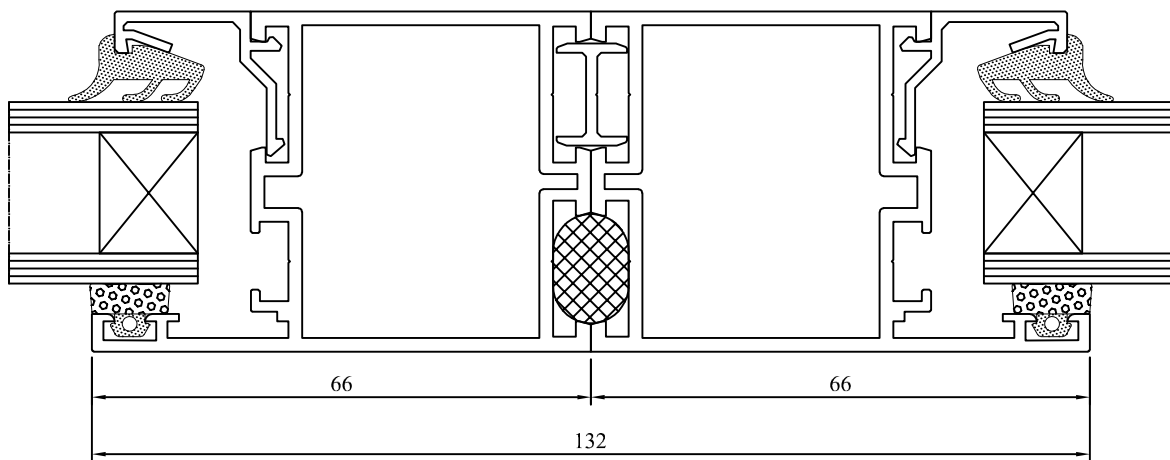
K415219X + K417848X + K417848X + K415219X



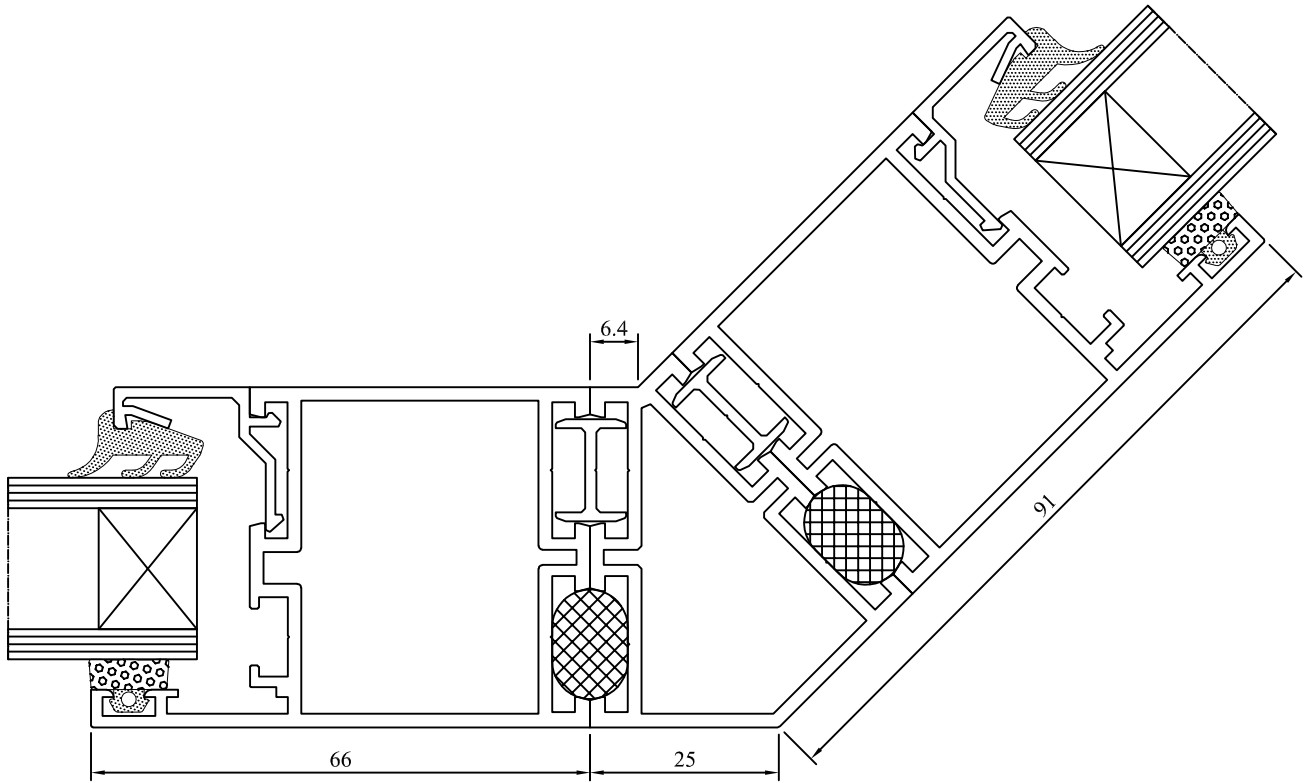
K417897X



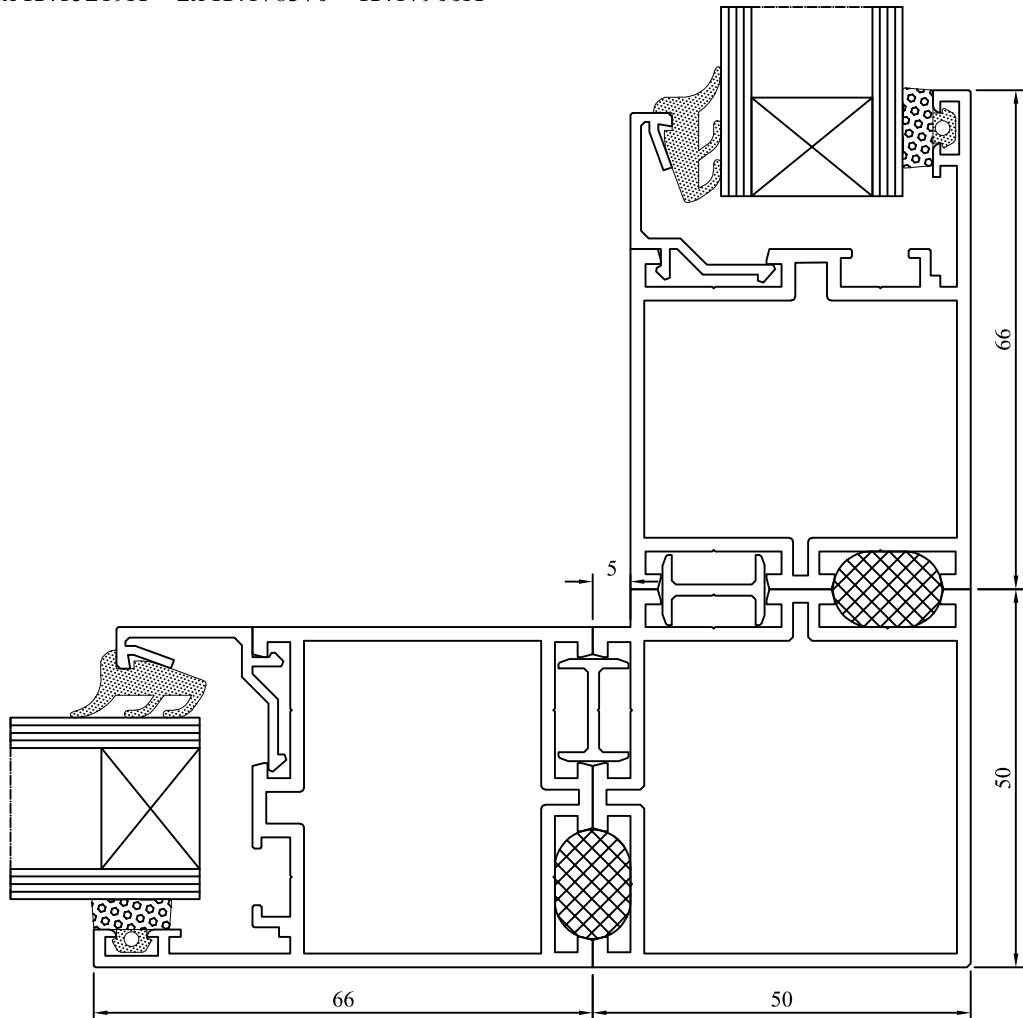
K417898X



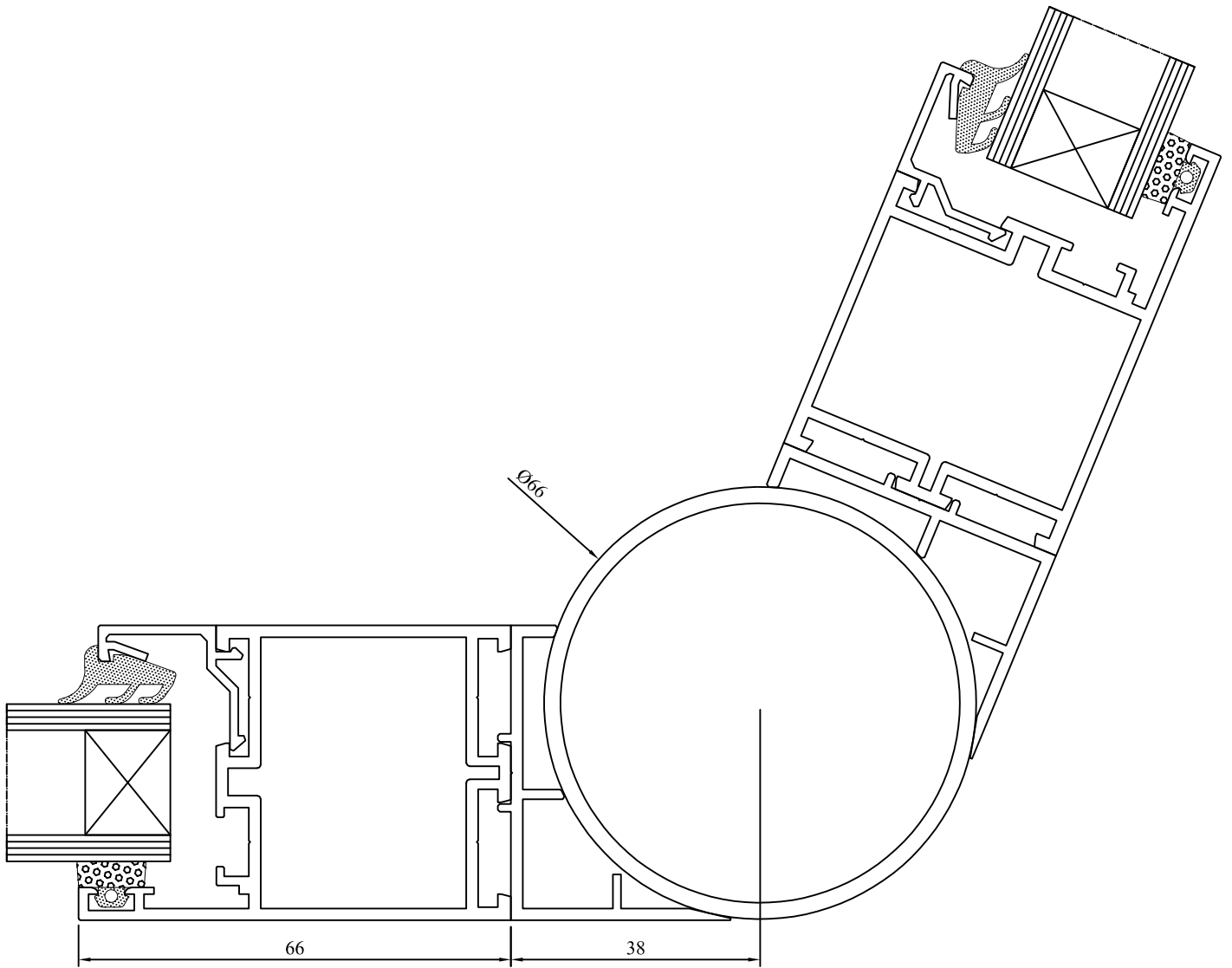
K415219X + K4178370 + K415219X



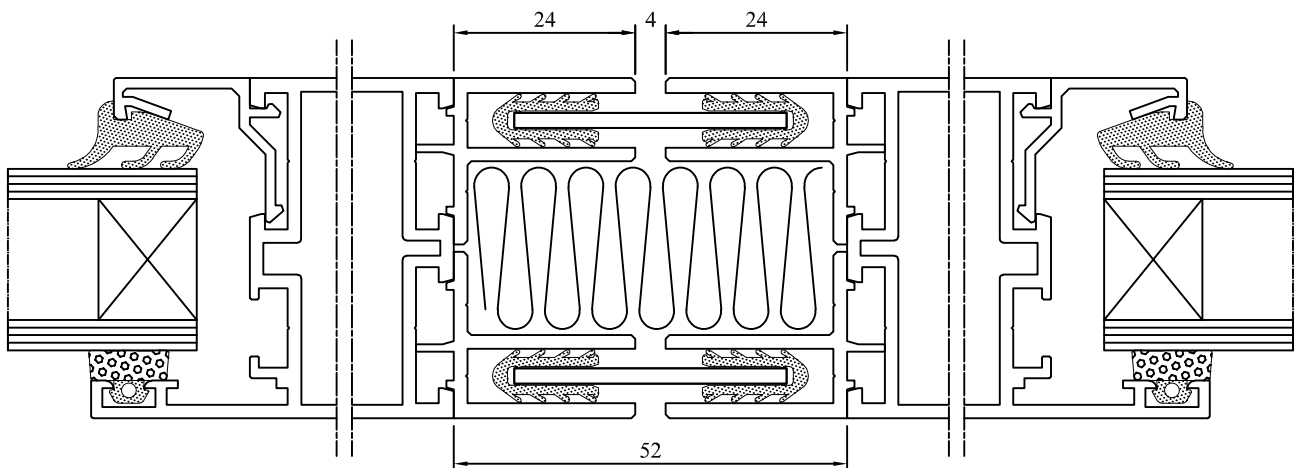
2x K415219X + 2x K4178370 + K417900X



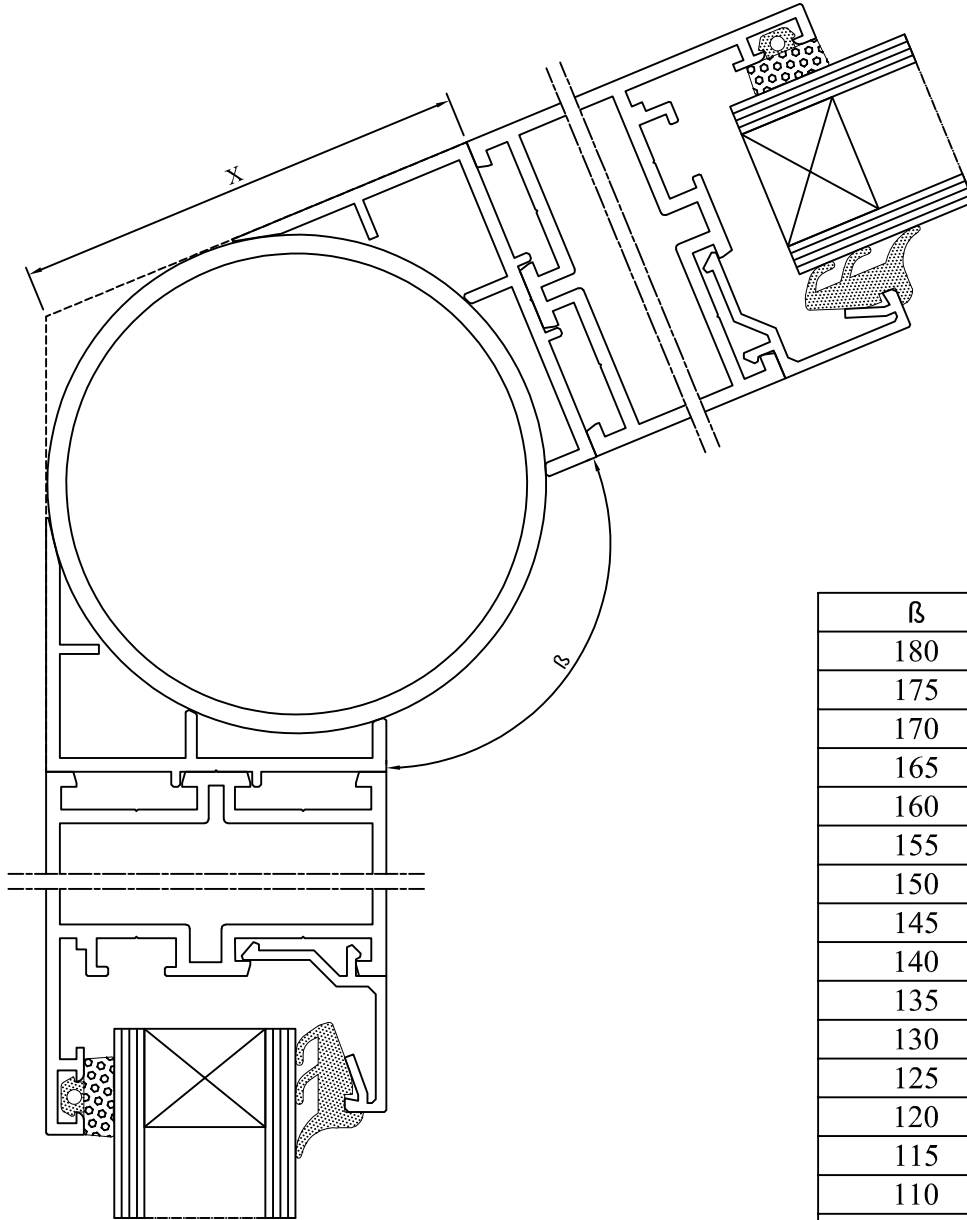
2x K415219X + 2x K4178370 + K417899X



2x K415219X + 2x K417811X + K41R001X

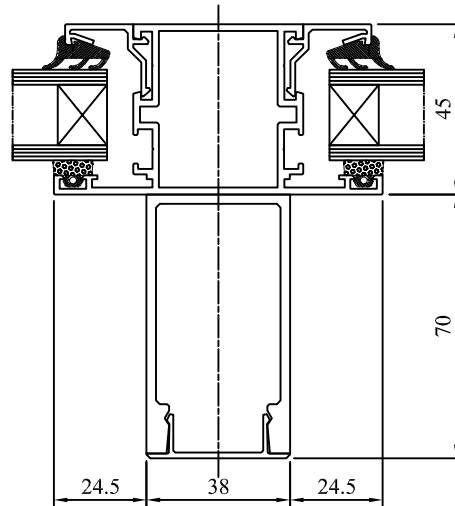
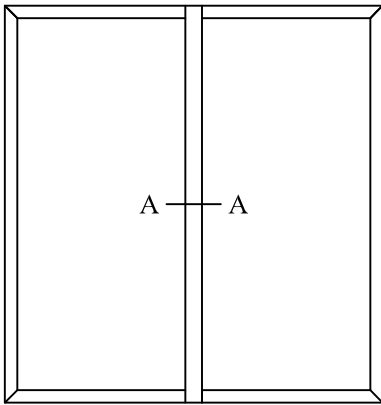


2x K415219X + 2x K415248X



2x K415219X + 2x K417811X + K41R001X

β	X
180	38
175	39,4
170	40,9
165	42,3
160	43,8
155	45,3
150	46,8
145	48,4
140	50
135	51,7
130	53,4
125	55,2
120	57,1
115	59
110	61,1
105	63,3
100	65,7
95	68,2
90	71
85	74
80	77,3
75	81
70	85,1
65	89,8
60	95,2
55	101,4
50	108,8
45	117,7



profil statyczny K413923X + K413924X
Static profile K413923X + K413924X
profilo statico K413923X + K413924X
Statisches Profil K413923X + K413924X

